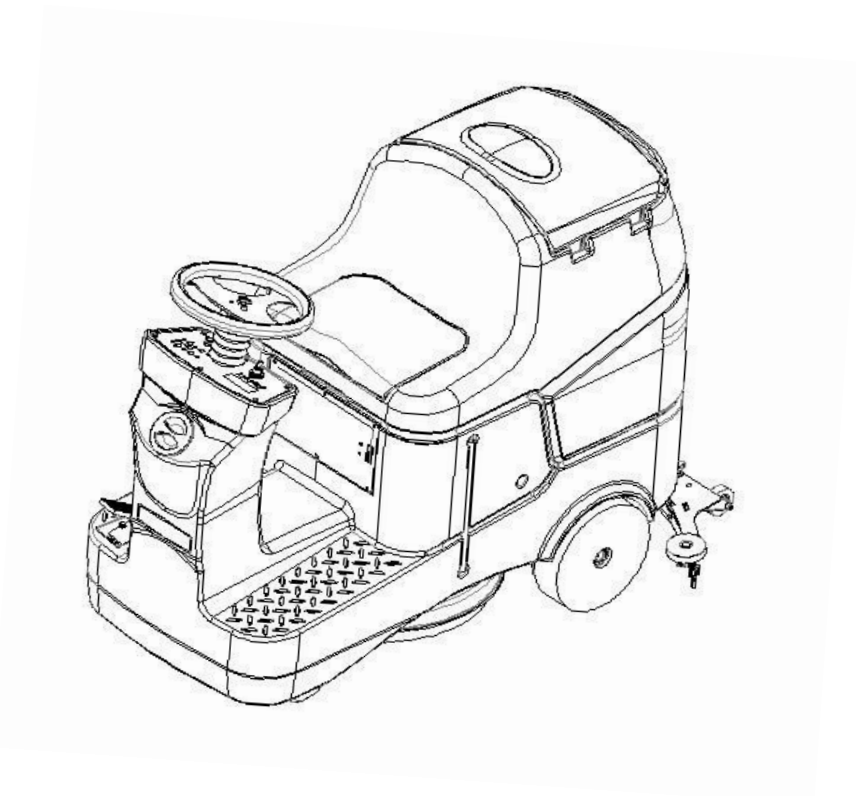




**E531R
Ride-on Floor Scrubber**

Owner's Manual



Please read this manual before using the floor scrubber and keep it for easy reference.

 ericleanusa.com

 info@ericleanusa.com

TABLE OF CONTENTS

INTRODUCTION.....	2
MANUAL CONTENT AND PURPOSE	2
HOW TO KEEP THIS MANUAL	2
DECLARATION OF CONFORMITY.....	2
ACCESSORIES AND MAINTENANCE.....	2
CHANGES AND IMPROVEMENTS	2
SCOPE OF APPLICATION.....	2
MACHINE IDENTIFICATION DATA.....	2
TRANSPORT AND UNPACKING	3
SAFETY	3
VISIBLE SYMBOLS ON THE MACHINE.....	3
SYMBOLS THAT APPEAR ON THE INSTRUCTION FOR USE MANUAL	3
GENERAL SAFETY INSTRUCTION.....	4
MACHINE DESCRIPTION	6
MACHINE STRUCTURE.....	6
CONTROL PANEL FUNCTION DESCRIPTION.....	7
TECHNICAL PARAMETERS	8
CIRCUIT DIAGRAM	9
OPERATING GUIDE.....	10
BATTERY INSTALLATION.....	10
EMERGENCY BRAKING.....	10
BRUSH/PAD INSTALLATION AND UNINSTALLATION	11
SQUEEGEE ASSEMBLY INSTALLATION	11
SOLUTION TANK FILLING.....	12
MACHINE START AND STOP	12
RECOVERY TANK ENPTYING.....	13
SOLUTION TANK EMPTYING	13
AFTER USING THE MACHINE.....	13
MACHINE LONG INACTIVITY	14
USING FOR THE FIRST TIME.....	14
MAINTENANCE	14
SCHEDULED MAINTENANCE TABLE.....	14
BATTERY CHARGING	15
BRUSH/PAD CLEANING	16
SOLUTION FILTER CLEANING	16
SQUEEGEE CLEANING AND STORAGE.....	16
SQUEEGEE BLADE CHECK AND REPLACEMENT	16
RECOVERY TANK CLEANING AND COVER GASKET CHECK.....	17
MACHINE WORKING DATA CHECK	18
TROUBLESHOOTING.....	19
LCD DISPLAY FAULT CODE.....	20
SCRAPPING.....	20

INTRODUCTION



NOTE

The numbers in brackets refer to the components shown in the Machine Description chapter.

MANUAL CONTENT AND PURPOSE

This User Manual provides the operator with necessary information to use the E531R machine properly and safely. It contains information about technical data, safety, operation, storage, maintenance, spare parts, and how to scrap it.

Before performing any procedure on the machine, all operators and qualified technicians must read this Manual carefully. Contact ERIClean for questions about this manual or for additional information. Operators must not perform procedures that should be completed by qualified technicians. ERIClean will not be responsible for damages coming from the non-observance of this prohibition.

HOW TO KEEP THIS MANUAL

This User Manual must be kept near the machine, inside an adequate case, away from liquids and other substances that may cause any damage to it.

DECLARATION OF CONFORMITY

Declaration of Conformity is supplied with the machine and certifies machine conformity with the law in force.



NOTE

Copies of the original declaration of conformity are provided with the machine documentation.

ACCESSORIES AND MAINTENANCE

All necessary operation, maintenance, and repair procedures must be performed by qualified personnel, or by our company-appointed service center. ONLY authorized spare parts and accessories should be used. Contact ERIClean for service, accessories, or spare parts purchases, if necessary.

CHANGES AND IMPROVEMENTS

We are committed to continuous improvement of ERIClean products. ERIClean reserves the right to make changes and improvements to products without providing notice.

SCOPE OF APPLICATION

The E531R is for commercial and industrial use. It is suitable for cleaning smooth and solid floors when operated by qualified personnel. It is not suitable for outdoor use, carpet, or rough floor cleaning.

MACHINE IDENTIFICATION DATA

The machine serial number and model name are marked on the serial label. Use the following table to record the machine identification data when ordering spare parts for the machine.

MACHINE MODEL.....
MACHINE SERIAL NUMBER.....

TRANSPORT AND UNPACKING

When the carrier delivers the machine, make sure the packaging and machine are both whole and undamaged. If there is any damage, inform the carrier about the damage before accepting the goods. Follow the instructions on packing closely when unpacking the machine.

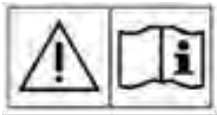
Check the package to ensure following items are included:

1. Technical documentation, including Quick Start Guide.
2. Charger cable and connection wires for battery.

SAFETY

The following symbols indicate potentially dangerous situations. Always read this information carefully and take all necessary precautions to safeguard people and property.

VISIBLE SYMBOLS ON THE MACHINE



WARNING!

Read all the instructions carefully before performing any operation on the machine.

SYMBOLS THAT APPEAR IN THIS USER MANUAL



DANGER!

Indicates a dangerous situation with risk of death for the operator.



WARNING!

Indicates a potential risk of injury to people.



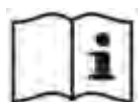
CAUTION!

Indicates a caution or a remark related to important or useful functions. Pay attention to the paragraphs marked by this symbol.



NOTE

Indicates a remark related to important or useful functions.



CONSULTATION

Indicates the necessity to refer to the User Manual before performing any procedure.

GENERAL SAFETY INSTRUCTION

Specific warnings and cautions to inform about potential damages to people and the machine are shown below.



DANGER!

- This machine must be operated by trained and authorized personnel according to guidance in this manual.
- Before performing any cleaning, maintenance, repair, or replacement procedure, read all the instructions carefully, turn the machine OFF, and disconnect the battery connector.
- Do not operate the machine near toxic, dangerous, flammable and/or explosive powders, liquids, or vapors. This machine is not suitable for collecting dangerous powders.
- Do not wear jewelry when working near electrical components.
- Do not work under the lifted machine without supporting it with safety stands.



WARNING!

- This machine is intended for COMMERCIAL USE in locations, such as hotels, schools, hospitals, factories, shops, offices, and rental businesses.
- Machines left unattended shall be secured against unintentional movement.
- To prevent unauthorized use of the machine, the power source shall be switched off or locked, by removing the key of the main switch or the ignition key.
- Check the machine carefully before each use. Ensure that all the components have been well-assembled before use. Damage to people and property may occur if the machine has not been assembled correctly.
- Before using the battery charger, ensure that the values of frequency and voltage indicated on the machine serial number label match those of mains.
- Never move the machine by pulling the battery charger cable. Do not close the cable in a door or wind it around sharp edges or corners.
- Do not run the machine on the battery charger cable.
- Keep the battery charger cable away from heated surfaces.
- Do not charge the batteries if the battery charger cable or the plug are damaged.
- To reduce the risk of fire, electric shock, or injury, make sure machine is off before leaving.
- Use or store the machine indoors in dry conditions; it is not allowed for outdoor use.
- The machines storage and working temperature must be between 0°C and +40°C, the humidity of air must be between 30%-95%.
- Do not use the machine on slopes with a gradient exceeding those shown in the specifications.
- When using and handling floor cleaning detergents, follow the instructions on the labels of the detergent bottles and wear suitable gloves and protections.
- Use brushes and pads supplied with the machine or defined in the manual. Using other brushes or pads could reduce safety.
- In case of machine malfunctions, ensure that these are not due to lack of maintenance. If necessary, request assistance from the authorized personnel or from an Authorized Service Center.

USER MANUAL

- Take all necessary precautions to prevent hair, jewelry, and loose clothing from being caught by the machine's moving parts.
- Do not use the machine in particularly dusty areas.
- Do not wash the machine with direct or pressured water jets, or with corrosive substances.
- Do not bump into shelves or scaffoldings, especially where there is a risk of falling objects.
- Do not lean liquid containers on the machine, use the relevant can holder.
- To avoid damaging the floor, do not allow the brushes/pads to operate while the machine is stationary.
- In case of fire, use a dry powder fire extinguisher. Do not use liquid fire extinguishers.
- Do not remove or modify the machine's stickers.
- Do not tamper with the machine safety guards. Follow the ordinary maintenance instructions scrupulously.
- Pay attention during machine transportation when the temperature is below the freezing point. The water in the recovery tank and in the hoses could freeze and cause serious damage to the machine.
- If spare parts need be replaced, order ORIGINAL spare parts from an Authorized Dealer or Retailer.
- Return the machine to the Service Center if it doesn't work as usual or has been damaged, placed outdoors, dropped into water, etc.
- To ensure machine proper and safe operation, the scheduled maintenance shown in the relevant chapter of this Manual, must be performed by the authorized personnel or an Authorized Service Center.
- The machine must be properly disposed of because the presence of toxic-harmful materials (e.g., batteries), which are subject to standards that require disposal in special centers (see Scrapping chapter).
- This machine is a cleaning tool only. It should not be used for anything other than its intended purpose.
- Always keep the openings free from dust, hair, and any other foreign material which could reduce the air flow. Do not use the machine if the openings are clogged.
- Use the machine only where proper lighting is provided.
- This machine is not intended for use by persons (including children) with reduced physical, sensory, or mental capabilities, or lack of experience and knowledge.
- Close attention is necessary when used near children.
- Children should be supervised to ensure that they do not play with the machine.
- While using this machine, take care not to cause damage to people or objects.

MACHINE DESCRIPTION

MACHINE STRUCTURE (as shown in Figure 1)

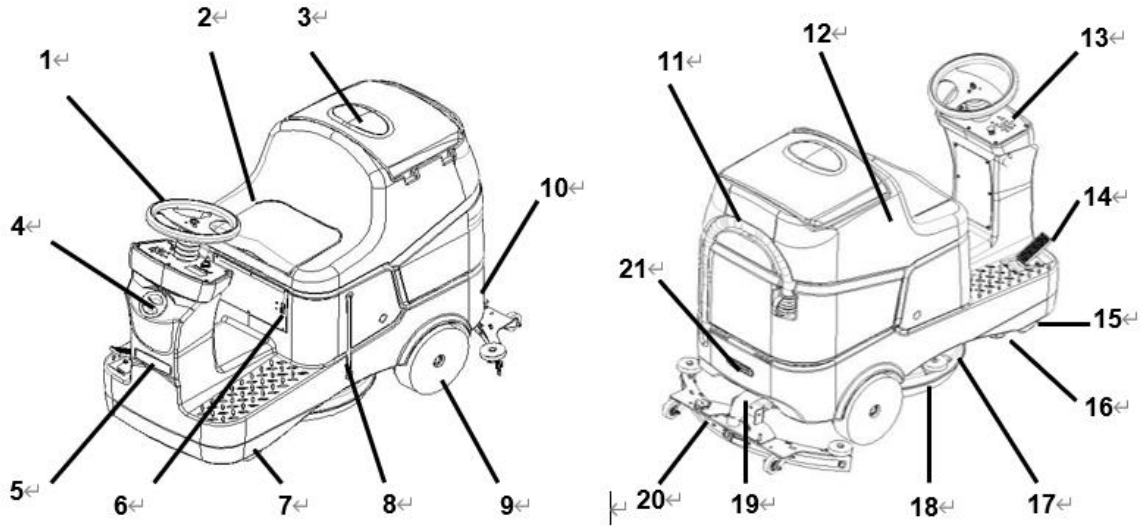


Figure 1

- | | |
|--|---------------------------------|
| 1. Steering wheel | 12. Recovery tank |
| 2. Seat cushion | 13. Control panel |
| 3. Recovery tank cover | 14. Accelerate pedal |
| 4. Water inlet | 15. Front wheel and Drive motor |
| 5. Front LED lamp | 16. Solution tank outlet |
| 6. Charging port | 17. Brush deck |
| 7. Water filter | 18. Brush/Pad |
| 8. Solution tank water level indicator | 19. Vacuum hose |
| 9. Rear wheel | 20. Squeegee assembly |
| 10. Solution tank | 21. Rear warning lamp |
| 11. Drain hose | |

CONTROL PANEL FUNCTION DESCRIPTION (as shown in Figure 2)

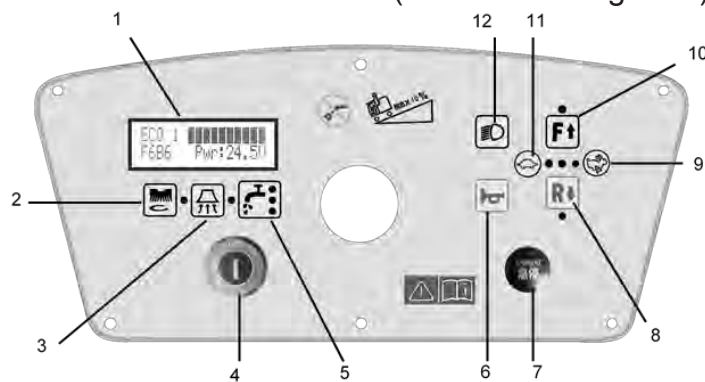


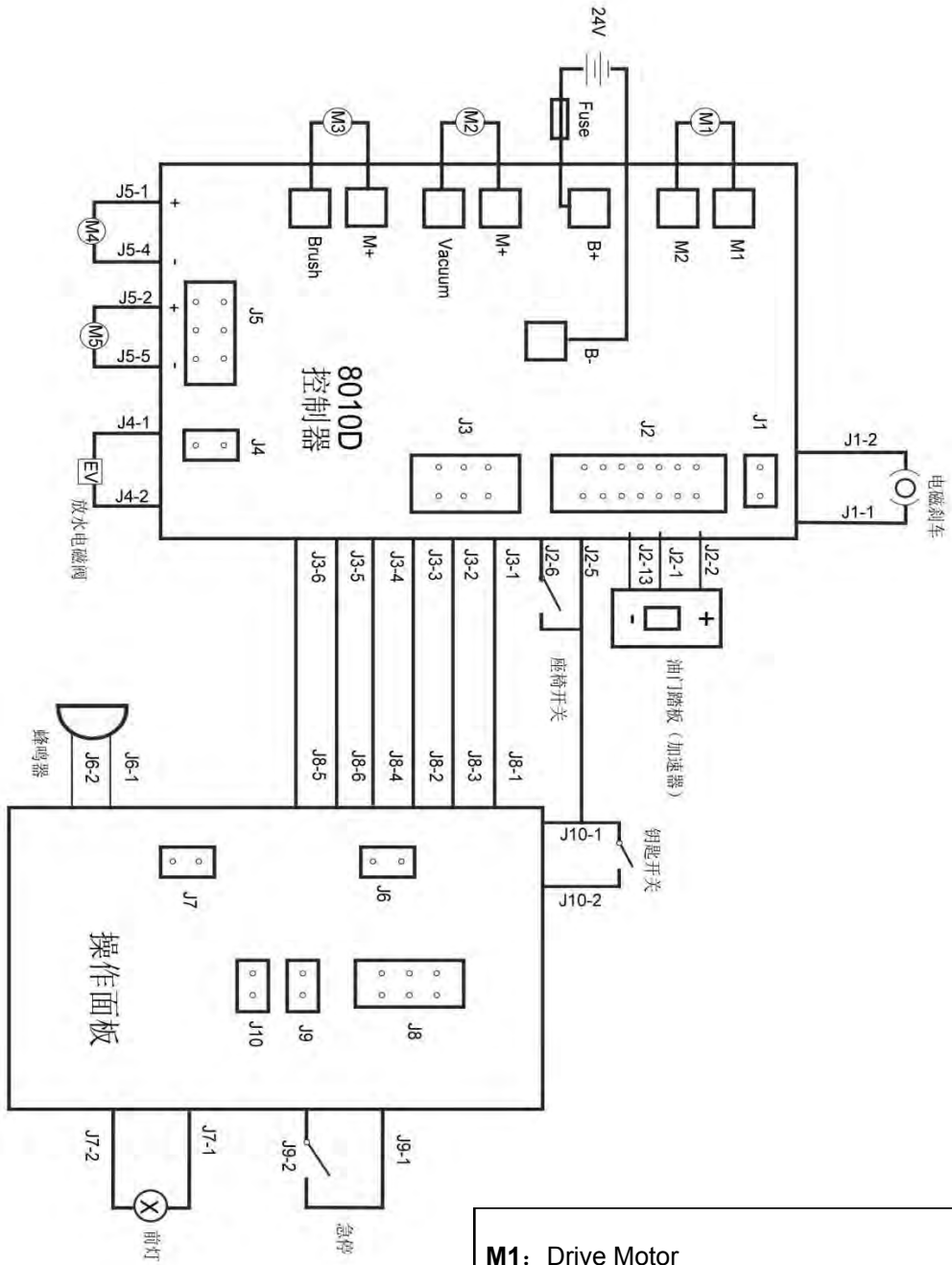
Figure 2

NO.	Description	Function
1	LCD screen	Displays the functional status of the machine
2	Brush system button	Quick press on the button. The push rod motor of the brush system drops, and the brush motor engages.
		Longer press on the button. The brush system performs the automatic brush loading program.
3	Vacuum system button	Quick press on the button. The squeegee assembly system push rod motor drops down and the vacuum motor engages.
		Longer press on the button. Enter ECO energy-saving mode.
4	Main key switch	Controls the main power supply of the machine. Press the key to "OFF" when charging.
5	Solution volume adjusting button	Press the button to adjust the amount of water. The amount of water will change repeatedly from small to large.
		Longer press on the button for automatic brush unloading.
6	Horn button	Press the horn button and a beep will sound.
7	Emergency stop button	Press the emergency stop switch, the machine will stop working
8	Reverse button	Press the reverse button, step on the accelerator pedal, and the machine will reverse.
9	Speed increase button	Press the button to increase the machine's drive speed. Indicator light 3 is the fastest speed.
10	Forward button	Press the forward button, step on the accelerator pedal, and the machine will move forward.
		Quick press on the button to reduce the machine's drive speed. Indicator light 1 is the slowest speed.
11	Speed reduce button	Longer press on the button to clean the brush motor and see the vacuum motor total working hours.
		Quick press on the button to turn the headlight on and off.
12	Front LED lamp button	Longer press on the button to enter the LCD turning screen and read the working state of the machine.

TECHNICAL PARAMETERS

Technical Specification	Technical Specification Value
Rated power (W)	1500
Brush motor power (W)	550
Drive motor power (W)	550
Vacuum motor power (W)	400
Vacuum (kPa)	>12
Voltage (V)	24
Sound pressure level at 1.5 m (dB(A) ISO 3744)	68±3
Max. speed (km/h)	4
Machine size(L x W x H) (in)	48"x21"x40"
Brush speed (RPM)	180
Solution/recovery tank capacity (gal)	18.5/18.5
Brush pressure (lbs)	80
Washing width (in)	20
Min. turn-around aisle width (cm)	51
Max. climbing rate (%)	10
Productivity theoretical/actual (f ² ph)	37135/29600
Insulation class	III
Brush dimension (in)	20
IP protection class	IP24
Gross weight (lbs)	441
Water flow (l/m)	1.2
Max. running time (hrs) 1*24V100Ah (v/Ah)	4-5
Battery compartment size (L x W x H) (in)	16"x13"x10"
Brush quantity and type	1 Disc

CIRCUIT DIAGRAM



- M1:** Drive Motor
- M2:** Vacuum Motor
- M3:** Brush Motor
- M4:** Push Rod Motor for Squeegee Assembly System
- M5:** Push Rod Motor for Brush Deck System

OPERATING GUIDE



WARNING!

The electric components of the machine can be seriously damaged if the batteries are either improperly installed or connected. The batteries must be installed by qualified personnel. Check to ensure the batteries are not damaged prior to installation. Disconnect the battery connector and the battery charger plug. Handle the batteries with great care.



NOTE

The machine requires two 12V batteries or one 24V Lithium-ion battery, connected according to Figure 3 below.

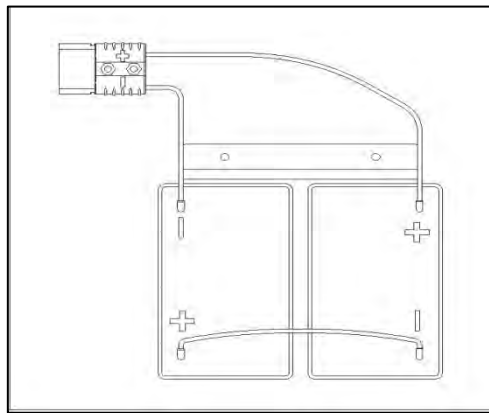


Figure 3

BATTERY INSTALLATION

1. Open the recovery tank cover (3, Figure 1) and check the recovery tank (12, Figure 1) is empty, otherwise, empty it with drain hose (11, Figure 1).
2. Hold the groove under seat and open the recovery tank until the steel rope straightens.
3. Route and install the battery cable as shown in (Figure 3), then carefully tighten the nut on each battery terminal.
4. Place the protection cap on each terminal, then connect the batteries to the connector on the machine.
5. Close and put down the recovery tank carefully by holding the groove.



NOTE

Hold the hand groove when turning over the recovery tank.

EMERGENCY BRAKING

If there is an emergency while operating the machine, press the emergency button (7, Figure 2). All machine functions will stop and nothing will display on the control panel. Push the emergency switch to restore the power supply.

BRUSH/PAD INSTALLATION AND UNINSTALLATION



NOTE

Choose the appropriate brush disc or needle holder to clean the floor.



CAUTION

Before manually installing or uninstalling the brush disc or pin holder, ensure that all machine switches are off. Protective gloves must be worn during operation to avoid scratches by debris.



NOTE

This machine features automatic installation and uninstallation of brush disc/pin holder. It is not recommended to use manual installation or uninstallation of brush disc or pin holder. The steps are as follows:

1. Insert the key switch and turn to the "On" position. The brush deck and squeegee assembly will automatically return to the original position.
2. Put the brush/needle under the brush deck and place it in the center.
3. Long press on the "Brush system button." The brush motor indicator button will flash, the brush deck will fall, and the brush motor will rotate until the brush/pad is connected with the buckle. Loosen the "Brush system button" and the brush installation process will finish, the brush motor will stop, and the front push rod will rise.
4. If you need to uninstall the brush/pad, press the "Solution volume button" long enough until you enter the automatic brush uninstall mode. When the three water quantity indicator lights flash, release the button and the controller will automatically complete the brush uninstall process and the water quantity indicator lights will stop flashing.
5. Install/uninstall the brush/pad by hand, align the brush/pad holder with the central axis, rotate the brush/pad counterclockwise by hand to install it, and rotate it in the opposite direction to remove it.



WARNING

Do not start using machine to work until the brush/pad is installed.

SQUEEGEE ASSEMBLY INSTALLATION

1. Insert the key into the key switch (4, Figure 3) and turn to the "On" position.
2. Press the "Vacuum system button" (3, Figure 3) and the squeegee assembly support frame will be automatically lowered to the ground.
3. Unscrew the two knobs on the squeegee assembly and lock it into the groove on the squeegee assembly support frame.
4. Tighten the knob on the squeegee assembly and insert the vacuum hose (19, Figure 1) into the connector of the squeegee assembly.

SOLUTION TANK FILLING

1. Open the water inlet cover (4, Figure 1) in front of the machine.
2. Fill the cleaning water or detergent suitable for floor by hose. The solution tank water level indicator (8, Figure 1) on the side can be used to check the water capacity in the solution tank. When the float ball reaches "F," it means the solution water tank is full. The temperature of the filling water or detergent should not exceed +104°F (+40°C).



NOTE

The solution tank has an overflow function. When the float ball exceeds the scale "F," excess water will overflow from the top of water level indicator. Please avoid the float ball exceeding the scale "F" when filling water.



WARNING

Use only low-foam and non-flammable detergents, which should be suitable for use in the floor washer.

MACHINE START AND STOP

1. Prepare the machine as shown in the previous paragraph. Operators sit on machine seat (machine has a seat switch that requires the operator to be seated to operate the machine). Insert the key and turn to "On" position. If the battery power display is 100%, it means the battery is fully charged and available for use. If the battery level shows 10%, the battery needs to be recharged. Turn the key switch to "Off" and charge the battery fully. (See Maintenance Section)
2. Push the "Brush system button" (2, Figure 2) and "Vacuum system button" (3, Figure 2). When the indicator light is on, the squeegee assembly and the brush deck will be automatically released to the ground. The brush motor and vacuum motor will start running.
3. According to the cleaning needs, the solution water volume can be adjusted through the "Solution volume adjusting button" on the control panel (5, Figure 2). Three volume levels can be adjusted and are indicated by the water quantity indicator light. The maximum amount of water is indicated when the indicator light is fully on. Visually check the water level indicator beside the solution tank (8, Figure 1). When the floating ball reaches the bottom, the water in the water tank is approaching, or is, empty. Please fill the water accordingly.
4. The machine drive speed can be adjusted through the "Speed increase/Speed reduce buttons" (11/9, Figure 2) on the panel. Press the "Tortoise" button to slow down, and press the "Rabbit" button to accelerate. There are three speed regulation options. As the accelerator pedal is pressed, the faster it goes. Push the accelerator pedal slowly, take the steering wheel forward, and start cleaning.
5. To reverse the machine, press the "R button" (8, Figure 2). When the machine reverses, the squeegee assembly and brush disc automatically lift and the cleaning function will automatically stop.
6. In case of sudden crowd or crowded situation press the "Horn button" (6, Figure 2) and the machine will issue a "beep" sound.

7. In low-light situations, press the "Front light button" (12, Figure 2) to turn the LED lamp on.
8. If you need to stop the machine immediately in an emergency, press the "Emergency stop button" (7, Figure 2).
9. Release the foot on the accelerator pedal to stop the machine.
10. Press the "Brush system button" and "Vacuum system button" again, the indicator light will turn off, and the squeegee assembly and the brush deck assembly will automatically lift. The brush motor shuts down and the vacuum motor shuts down after a few seconds.
11. Make sure to turn the key switch turn to the "Off" position when finished using the machine.



NOTE

To avoid any damage to the floor surface, turn off the brush/pad-holder when the machine is stopped in one place.



NOTE

To avoid damaging the battery, do not use the machine when the battery power is low.

RECOVERY TANK EMPTYING

1. When the recovery tank is full, the floating ball system in the recovery tank will start to block the suction port of the suction motor and the ground cannot be dried. Please stop working immediately.
2. Turn off the brush motor and vacuum motor to lift the brush deck and squeegee assembly system.
3. Drive the machine to the designated drainage area.
4. Empty the recovery tank through the "Drain hose" (11, Figure 1), then flush the inside of recovery tank with clean water.



WARNING

When the recovery tank is full, please stop working immediately to avoid recovered water entering the vacuum motor.

SOLUTION TANK EMPTYING

Unscrew the "Solution tank outlet" cover under the accelerator pedal (16, Figure 1) to empty the cleaning water.

AFTER USING THE MACHINE

After working, please follow these steps before storing the machine:

1. Remove the brush/pad holder according to the disassembly description in previous section.

2. Follow the steps described above to empty and clean the solution and recovery tanks.
3. Follow the daily maintenance steps (see Maintenance section).
4. Lift or remove the squeegee assembly system and store the machine in a clean and dry place.

MACHINE INACTIVITY

If the machine is not going to be used for more than 30 days, please:

1. Perform the procedures shown in “AFTER USING THE MACHINE” paragraph.
2. Disconnect the battery connector (Figure 3).

USING MACHINE FOR THE FIRST TIME

After 8 hours of using the machine for the first time, please check for any damage or abnormal wear. Check the fasteners and fittings to ensure they're properly tightened and in place.

MAINTENANCE



WARNING!

Maintenance procedures must be performed after the machine is turned off and the battery charger cable is disconnected. Carefully read the safety chapters in this User Manual.

All scheduled or extraordinary maintenance procedures must be performed by qualified personnel or an Authorized Service Center. This guide only describes the general and common maintenance procedures.

For other maintenance procedures found in the maintenance schedule table below, please refer to the Service Manual that can be obtained from any Authorized Service Center.

SCHEDULED MAINTENANCE TABLE



CAUTION!

Procedures marked with (1) must be performed when the machine has been used for 8 hours for the first time. The procedures marked with (2) must be performed by an Authorized Service Center.

Procedure	Daily, after each use	Weekly	Semi-annually	Yearly
Battery charging				
Squeegee cleaning				
Brush/Pad-holder cleaning				
Tank cleaning				
Tank sealing strip inspection				
Squeegee blade check and replacement				
Cleaning water filter cleaning				
Suction filter cleaning				
Screw and nut tightness inspection			1	
Brush/Pad-holder carbon brush check or replacement				2
Suction motor carbon brush check or replacement				2
Drive system motor carbon brush check or replacement				2

BATTERY CHARGING



NOTE

Re-charge the batteries when there are two or fewer rectangular lights shown at the right bottom LCD screen (A, Figure 18), or after each use.



CAUTION

Always keep the battery charged, which can extend its lifetime.



CAUTION

Please charge the battery as soon as possible if the battery level is low. Otherwise, the lifespan of battery can be reduced. Check the battery at least once a week.

1. Drive the machine to the designated charging area.
2. According to the type of battery used, choose the appropriate charger to charge.
3. Connect the charger plug to the charging port under the seat of the machine first, and then plug in the charger plug to the power socket.
4. After charging the battery, disconnect the charger plug from the power socket, and then disconnect plug with machine.

BRUSH/PAD CLEANING



CAUTION!

Use protective gloves when cleaning the brush/pad because there may be sharp debris.

1. Remove the brush/pad from the machine, as shown in the Use chapter.
2. Check that the brushes/pads are in working condition and not excessively worn; if necessary, replace them.

SOLUTION FILTER CLEANING

1. Close the inlet water valve at the front bottom of the clean tank.
2. Remove the filter cover, clean the filter, then reattach it to the filter body.
3. Open the inlet valve and check that the strainer is properly installed with no leakage.

SQUEEGEE CLEANING AND STORAGE



NOTE

The squeegee must be clean and its blades must be in good condition to properly dry.



CAUTION

It is advisable to wear protective gloves when cleaning the squeegee as there may be sharp debris.

1. Drive the machine on a level floor.
2. Turn the ignition key to "On."
3. Press "Vacuum system button" to release the squeegee.
4. Loosen the knobs and remove the squeegee.
5. Disconnect the vacuum hose from the squeegee. Clean the squeegee. Clean the compartments and the hole, especially. Check the front blade and the rear blade for integrity, cuts, and tears; if necessary, replace them (see the procedure in the following paragraph).
6. Assemble the squeegee in the reverse order of disassembly and make sure the squeegee assembly system is lifted.

SQUEEGEE BLADE CHECK AND REPLACEMENT

1. Clean the squeegee (Figure 4) as shown in the previous paragraph.
2. Check that the edge (E, Figure 4) of the front blade (C) and the edge (F) of the rear blade (D) lay down on the same level, along their length; otherwise adjust their height according to the following procedure:

– Remove the tie rod (G), disengage the retainers (M) to adjust the rear blade (D); then engage the retainers and install the tie rod.

– Loosen the handwheels (I) and adjust the front blade (C); then tighten the handwheels.

3. Check the front blade (C) and rear blade (D) for integrity, cuts, and tears; if necessary replace them as shown below. Check that the front corner (J) of the rear blade is not worn; otherwise, turn the blade over to replace the worn corner. If the other corners are worn too, replace the blade according to the following procedure:

– Remove the tie rod (G), disengage the retainers (M), remove the retaining strip (K), then replace/turn over the rear blade (D). Install the blade in the reverse order of removal.

– Loosen the handwheels (I) and adjust the front blade (C); then tighten the handwheels.

– Unscrew the handwheels (I) and remove the retaining strip (L), then replace the front blade (C). Install the blade in the reverse order of removal.

After the blade replacement (or turn over), adjust the height as shown in the previous step.

4. Connect the vacuum hose (19) to the squeegee.

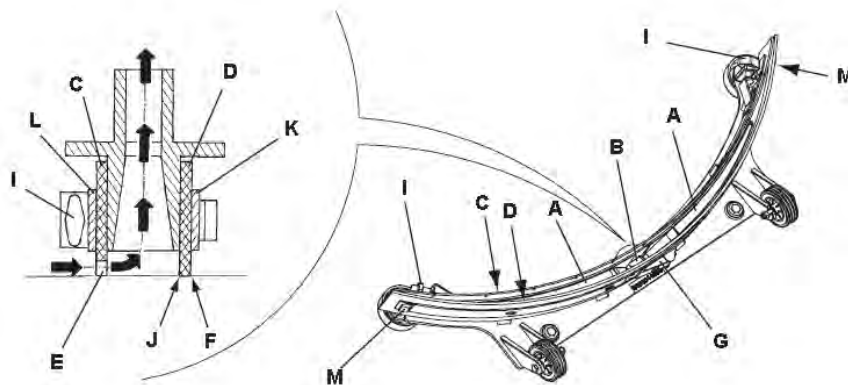


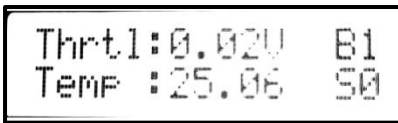
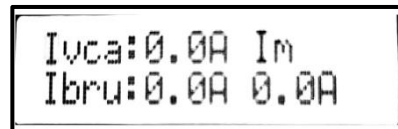
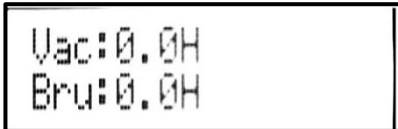
Figure 4

RECOVERY TANK CLEANING, AND COVER GASKET CHECK

1. Empty the recovery tank using the drain hose.
2. Open the recovery tank to a vertical position, remove the recovery tank cover, rinse the recovery tank cover, and refill the recovery tank with clean water.
3. Check whether the bearing surface of the sealing strip is complete and adequately sealed. If necessary, remove the sealing from the tank and replace it.
4. Put on the recovery tank cover.

MACHINE RUNNING DATA CHECK

Long press the "FRONT LED LAMP BUTTON" (12, Figure 2) to turn on the LCD screen and read various working data of the machine. There are four pages in total.



LCD Display	Description
ECO	Energy saving mode: 0 for off, 1 for on
F	Brush deck push rod motor state, 1-3 is down, 4-6 is up.
B	Squeegee system push rod motor state, 1-3 is down, 4-6 is up.
Pwr	The battery voltage value, above is the 10 stages of power display.
Vac	Total working time of vacuum motor.
Bru	Total working time of brush motor.
Ivca	Real-time working current of vacuum motor
Ibru	Real-time working current of brush motor
Thrt1	Accelerator input value
Temp	Controller temperature
B0/B1	The electromagnetic brake of drive motor is disconnected/connected
S0/S1	Seat switch close/open

TROUBLESHOOTING

Trouble	Probable Causes	Remedy
The machine doesn't work and the LCD display doesn't light up	The battery connector is disconnected	Connect the battery connector
	The batteries are completely discharged	Charge the batteries
10% The machine don't work, and the battery is displayed at 10%	Low battery	Charge the batteries
The machine does not go forward/backward	Control circuit board fault	Replace the control circuit board
	The operator is not on the seat or seat switch is broken	Sit on the seat or replace seat switch
	The accelerator pedal is disconnected or damaged	Check the cable or replace the accelerator pedal
The brush motor does not work	Control circuit board fault	Replace the control circuit board
	Brush motor overload	Use soft bristle brush that is suitable for cleaning, and reset the brush motor overload protector
	Brush motor carbon brush wearing	Contact Service
	Obstacles prevent the brush rotating	Clean the brush
The vacuum motor does not work	Vacuum motor damage	Check and replace vacuum motor
	Control circuit board fault	Replace the control circuit board
Insufficient suction, the floor cannot be dried	Recovery tank is full	Empty the recovery tank
	Drain hose and squeegee-poor connection	Connect the drain hose and squeegee correctly
	Squeegee is dirty or worn	Check and clean the squeegee
	The recovery tank cover is not closed properly, or the gasket is damaged, or bend tube is clogged	Close the cover correctly, replace the gasket, or clean the bend tube.
	The recovery tank is dirty	Clean the recovery tank
Insufficient solution supply to brush plate	The solution filter is dirty	Clean the filter
	The solution tank is too dirty or there's a clogged pipeline	Clean the solution tank and piping
Squeegee leaves scratches on the floor	Debris under the squeegee blade	Remove the debris
	Squeegee blade worn, cracked, aged	Replace the squeegee blades

LCD DISPLAY FAULT CODE

LCD Display	Fault Cause
Low battery	Low voltage fault
Traction error	Drive motor wire connection open
High temperature	The controller temperature is too high
Brush overcurr	Brush motor current is too large
Vacuum overcurr	Vacuum motor current is too large
Vacuum open	Vacuum motor wire connection open
Brush open	Drive motor wire connection open
Fjmk overcurr	Brush deck push rod motor over current
Bjmk overcurr	Squeegee assembly push rod motor over current
Prechange error	Charge fault
Pedal error	Accelerator pedal release issue
Drive open	Drive motor wire connection open
Drive overcurr	Drive motor over current

SCRAPPING

1. Scrap the machine at a qualified waste treatment institution.
2. Before the machine is scrapped, please remove and segregate the subassembly items below which require proper disposal in accordance with local laws and regulations.

Battery

Brush/Pad-holder

Plastic hose and plastic parts

Electrical and electronic components