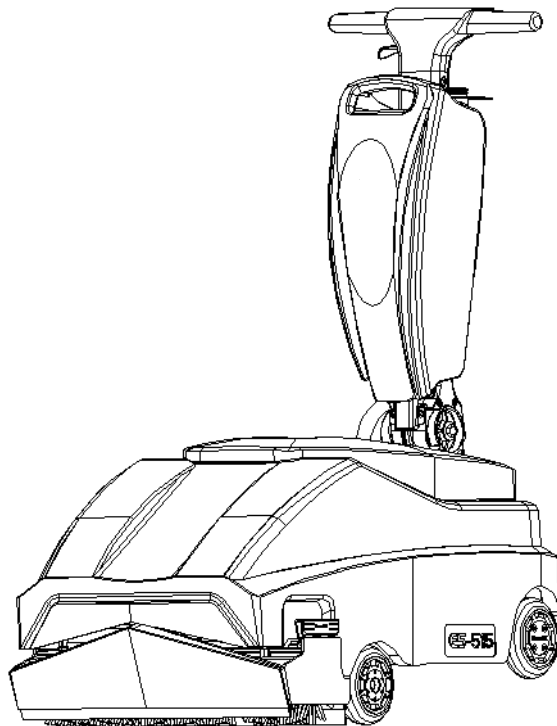
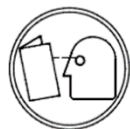




ES-515C
Escalator Maintenance Machine
Dry Sweep and Wet Wash

Owner's Manual



Read these instructions before using the machine

 ericleanusa.com

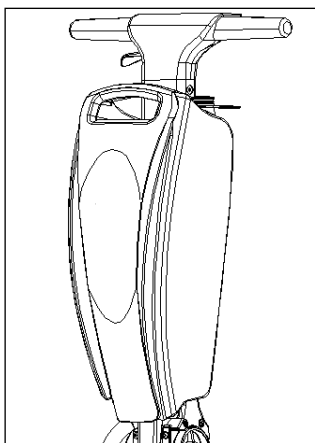
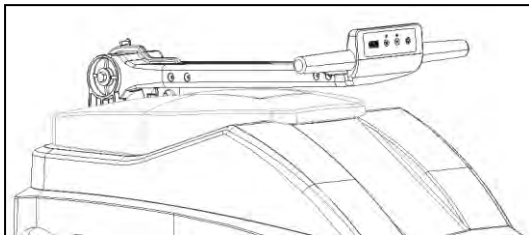
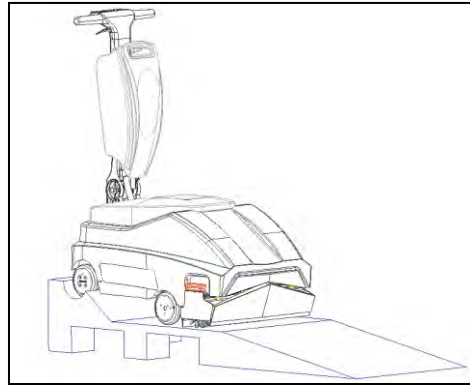
 info@ericleanusa.com

Packaging Material Disposal:

To protect our environment, please follow your local trash disposal rules.

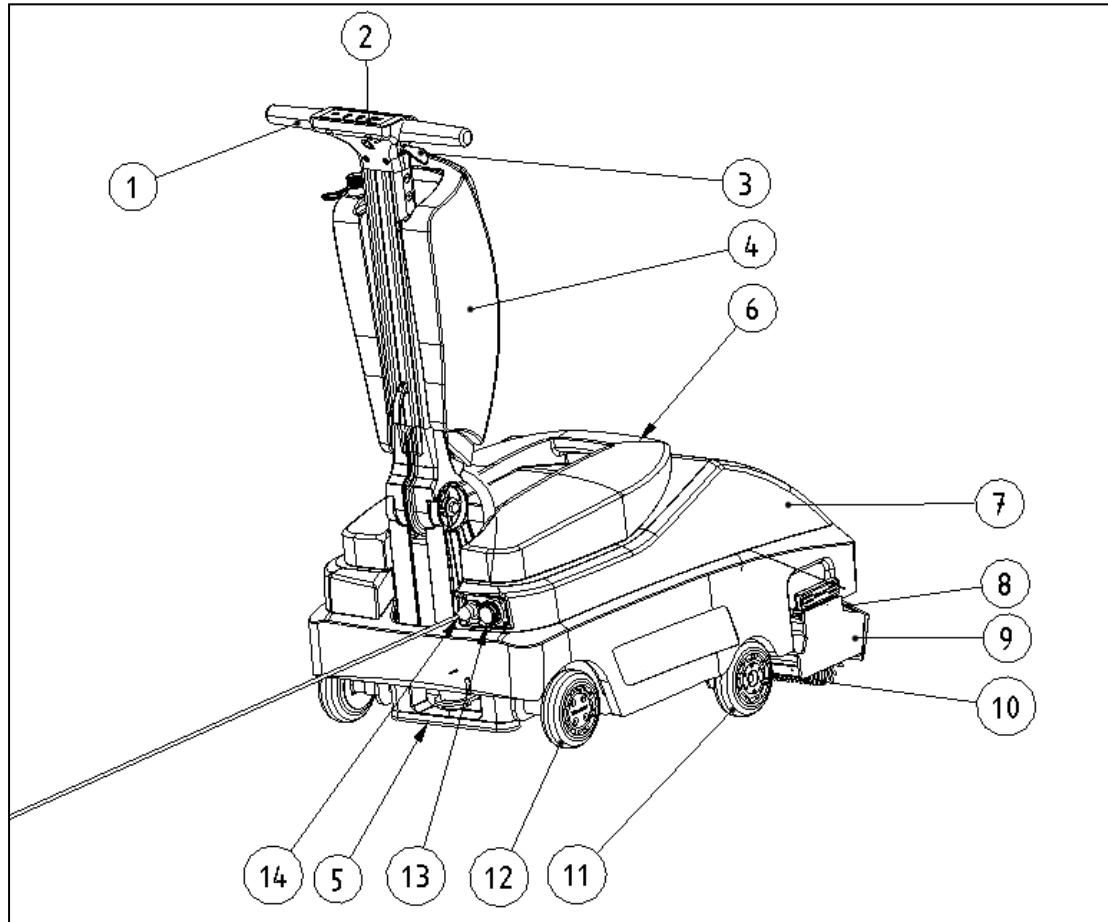
Machine Set-up:

- Unpack the machine;
- Pull up the lever on the right beneath the handle bar to adjust the handle to a proper position;
- Slide the solution tank down onto the valve along the center of the handle tube and push the tank into place until it clicks.



AC Power Cord Version

ES-515C




- | | |
|-------------------------------------|-----------------------------------|
| 1 Handle Bar | 9 Brush Deck |
| 2 Control Panel | 10 Cylindrical Long/Short Brushes |
| 3 Lever, Handle Tube Adjusting | 11 Front Wheels |
| 4 Solution Tank | 12 Rear Wheels |
| 5 Transaxle, Brush Deck Positioning | 13 Emergency Button |
| 6 Recovery Tank | 14 Power Cord |
| 7 Housing | |
| 8 Vac-Shoe | |




Control Panel

- 1 On/Off Switch
- 2 Brush On/Off
- 3 Water Pump On/Off

Dual Cleaning Modes

 Wet Cleaning Mode:
For heavy dirt or grease build-up

 Dry Cleaning Mode:
For daily maintenance

Operating Instructions:

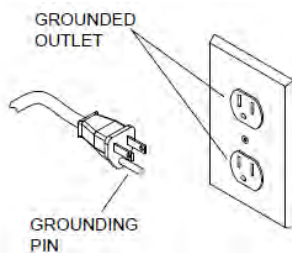
- Push the machine straight onto the escalator with the front wheels touching the moving comb steps;
- To avoid hitting the vertical side of the moving steps, operator must tightly control the depth of the machine on the escalator;
- The machine must be attended at all times during operation;
- Turn off the machine immediately when anything abnormal occurs;
- When the escalator in maintenance has heavily built-up dirt, stop every 5 minutes to swap out the vac-shoe, brushes and brush deck to be cleaned to avoid possible motor overloading.

Important Safety Instructions



Grounding instructions

This appliance must be grounded. If it should malfunction or break down, grounding provides a path of least resistance for electric current to reduce the risk of electric shock. This appliance is equipped with a cord having an equipment-grounding conductor and grounding plug. The plug must be inserted into an appropriate outlet that is properly installed and grounded in accordance with all local codes and ordinances.

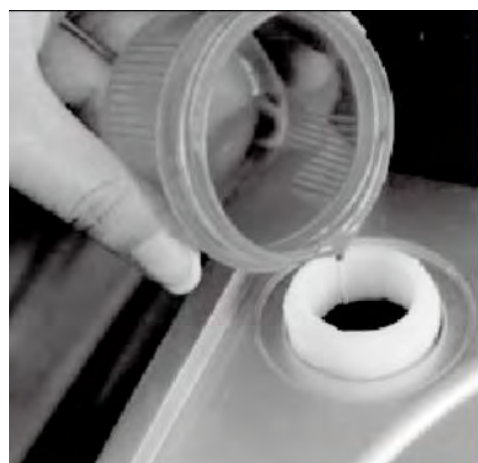


- Before operating the machine, end-users must participate in the proper training program provided by the manufacturer or their local distributors;
- A “Maintenance in Progress area” perimeter sign should be set up at both step entrances of the escalator before operating the machine;
- The operator must know where the emergency stop button is located;
- The enclosed maintenance area perimeter sign should not be removed until the escalator and step entrance are completely dry.



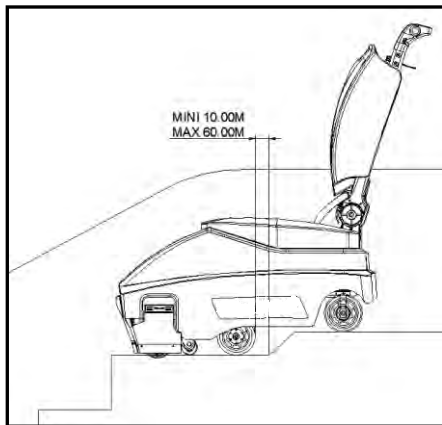
Before Operating:

- Fill up the solution tank with clean water and detergent. For mixing ratio, refer to details on the ERIClean bottle label;
- For the best cleaning results, ERIClean detergent formulated by the manufacturer is strongly recommended;
- Resin the recovery tank to make sure no clogged dirt is being built up inside;
- Make sure the brushes are installed;
- Check the vac-shoe to make sure it is clean and not clogged;
- Replace the worn out brushes for the best cleaning results.



Operating the Machine:

- Ride the front wheels straight onto the comb-shaped steps;
- To avoid bumping into vertical side of moving steps, keep the front wheels as close as possible to the edge of step entrance as shown below:



Push the on/off switch;



- To start the operation, push the



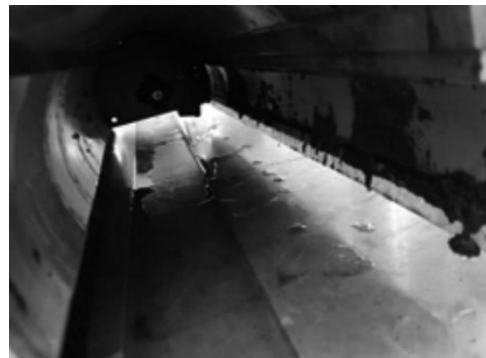
- Brush On/Off button.
- In 4 seconds, the machine will automatically adjust its brush deck to the proper cleaning position.

- Solution pump will start to work automatically.



- It takes approximately 3 to 5 minutes to scrub an escalator/walkway less smeared with soils and stains. Under these circumstances, there's no need to clean up the brush and brush housing after every cleaning path.

- Back out the machine when one path's scrubbing is completed.
- Lift and pull the orange colored handles at both sides of the brush housing to remove the brushes.
- Rinse the brushes and wipe the brush housing inside clean with either wet towel or tissue.



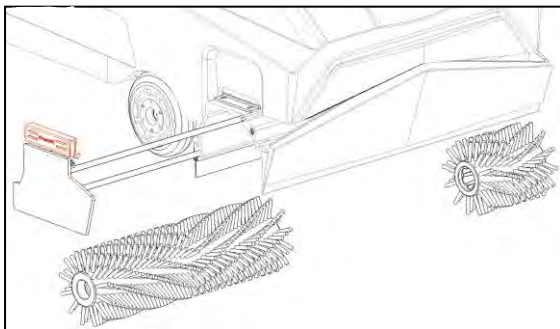
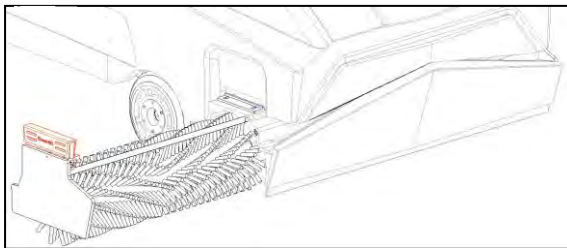
- Move the machine to the next cleaning path.

Daily Maintenance:

- Inspect the brushes, rubber skirts, guiding wheels, front, and rear wheels for wear. Replace them as necessary;
- Inspect the battery connection and contact. Stop using the machine immediately if any burning/scorching spots are visible. Report to your local distributor. Don't attempt problem-solving by yourself.

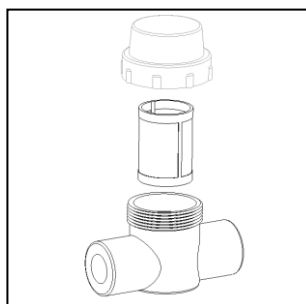
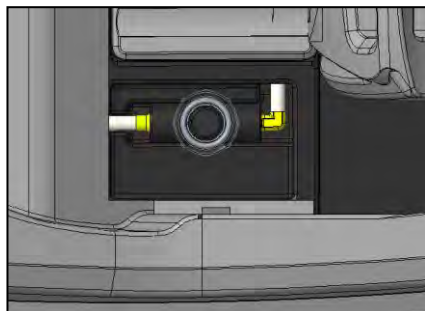
Weekly Inspection:

- Check for any parts coming loose;
- Front wheels and belt wear;
- Dirt buildup in recovery tank;
- Vac-shoe clogging;
- Brush wear (see below for brush replacement);



Clean the Filter When It's Clogged:

- Remove the recovery tank to find the valve, unscrew the cap, take out the filter to wash it with water.



DC Power Cord Version:

Operator must inspect the power cord for damage every time before operating the machine.

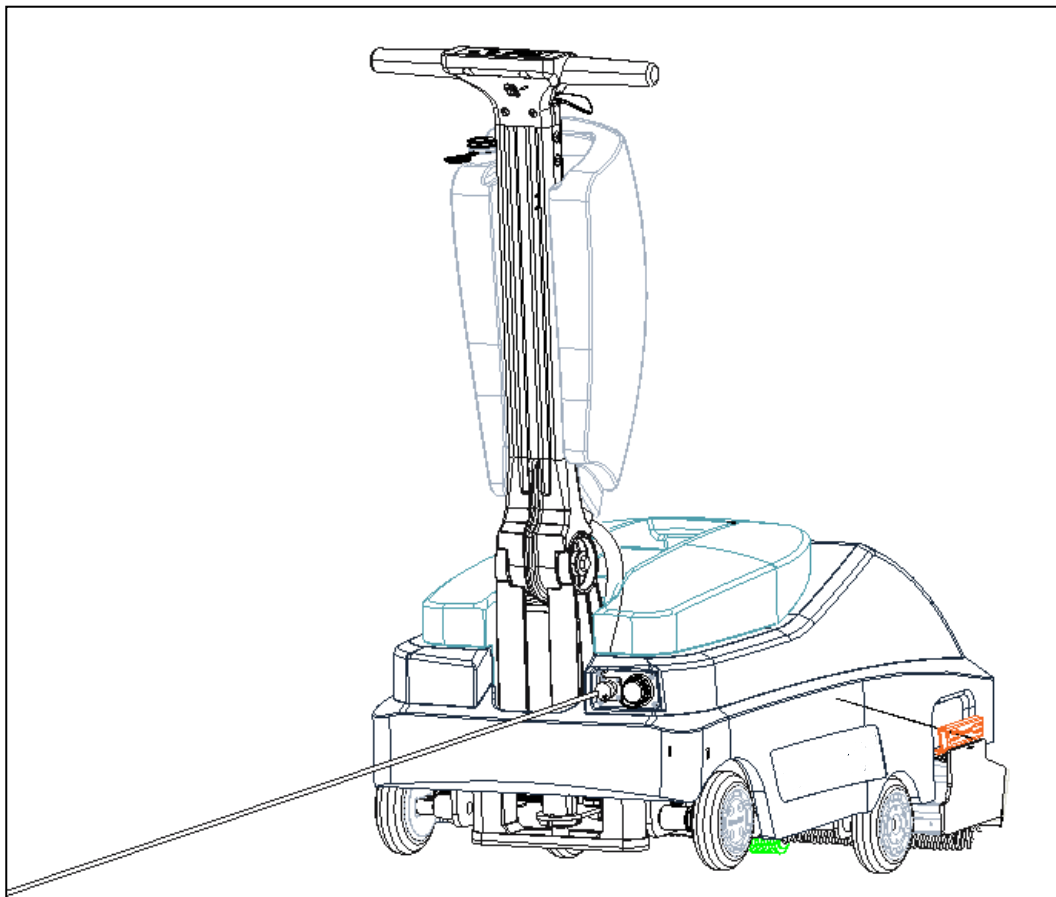
When the machine is in operation, make sure the power cord is within a perimeter with no other traffic.

- To plug in the machine:



- Make sure the red light of the emergency button is on when the power cord is plugged in.

Attention: In an emergency situation, push the emergency button to stop the machine immediately.

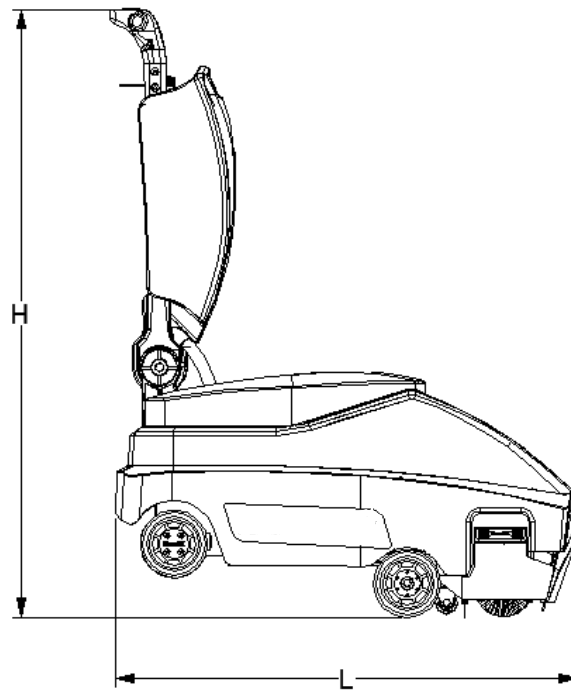
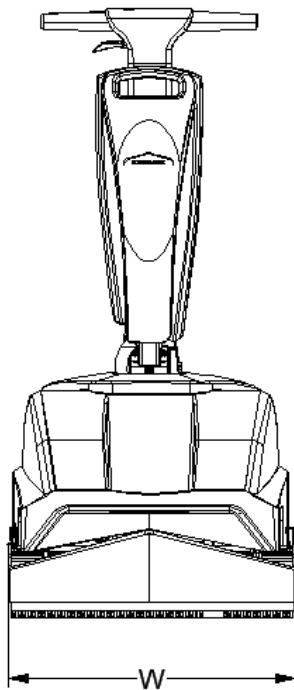


Troubleshooting:

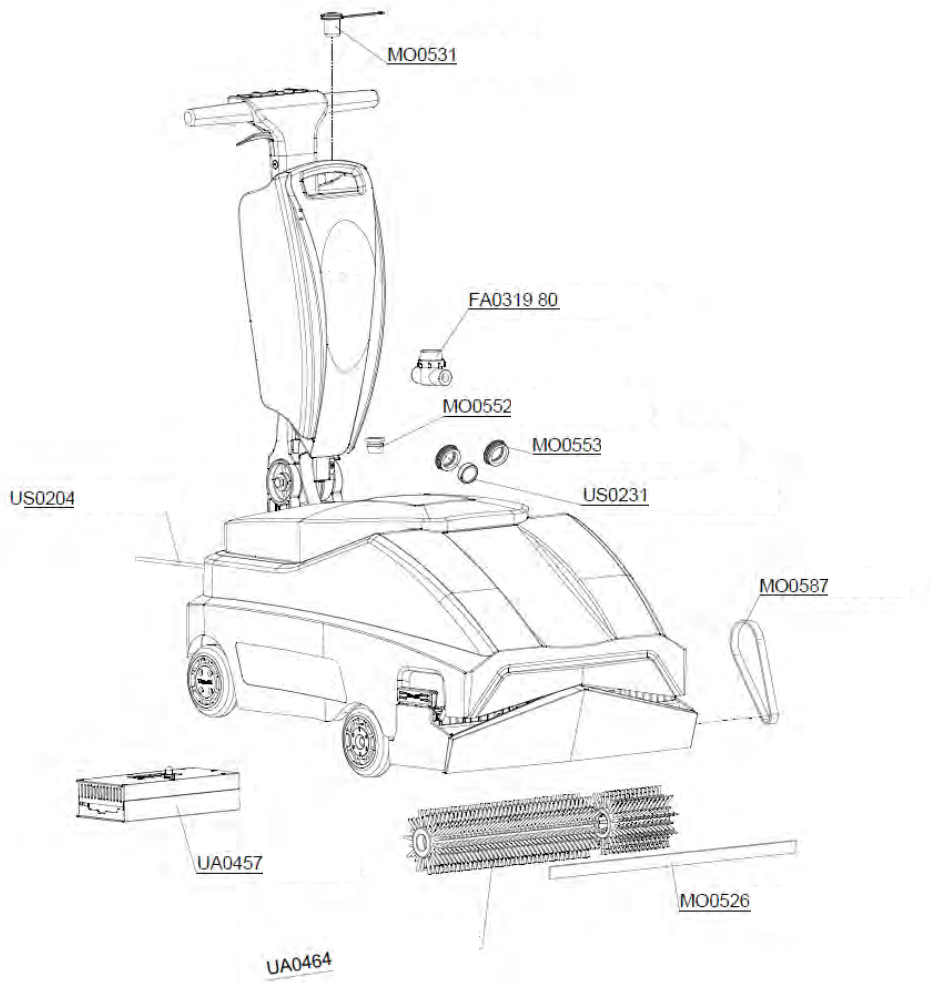
PROBLEM	CAUSE AND SOLUTION
Brush motor and vacuum pump shut down	Recovery tank is full. Empty the tank.
	Re-start the machine. If it doesn't work, check if there are any loose parts on brush deck.
Low water recovery ratio	Replace the worn brushes.
	Push tightly on the recovery tank to stop air leaking.
	Check the vac-shoe for clogging.
Unsatisfactory cleaning results	Make sure right detergent is used, check the sprayer, check the filter for clogging.
	Replace worn brushes and squeegee.
	Double-check the detergent mixing ratio.
Brush deck positioning transaxle failure	Re-start the machine. Contact your local distributor if the transaxle still doesn't respond.

AC Power Cord Version:

Dimensions	856 mm*530 mm*1125 mm
Weight	≈70 kg
Recovery Tank Capacity	12L
Solution Tank Capacity	8L
Brush Width	530 mm
DC Power Input	110V 60Hz
Brush RPM	920 RPM
Vac Pump	800W
Water Flow Rate	650 mL/min
Recovery Rate	>80%
Brush Motor	350W

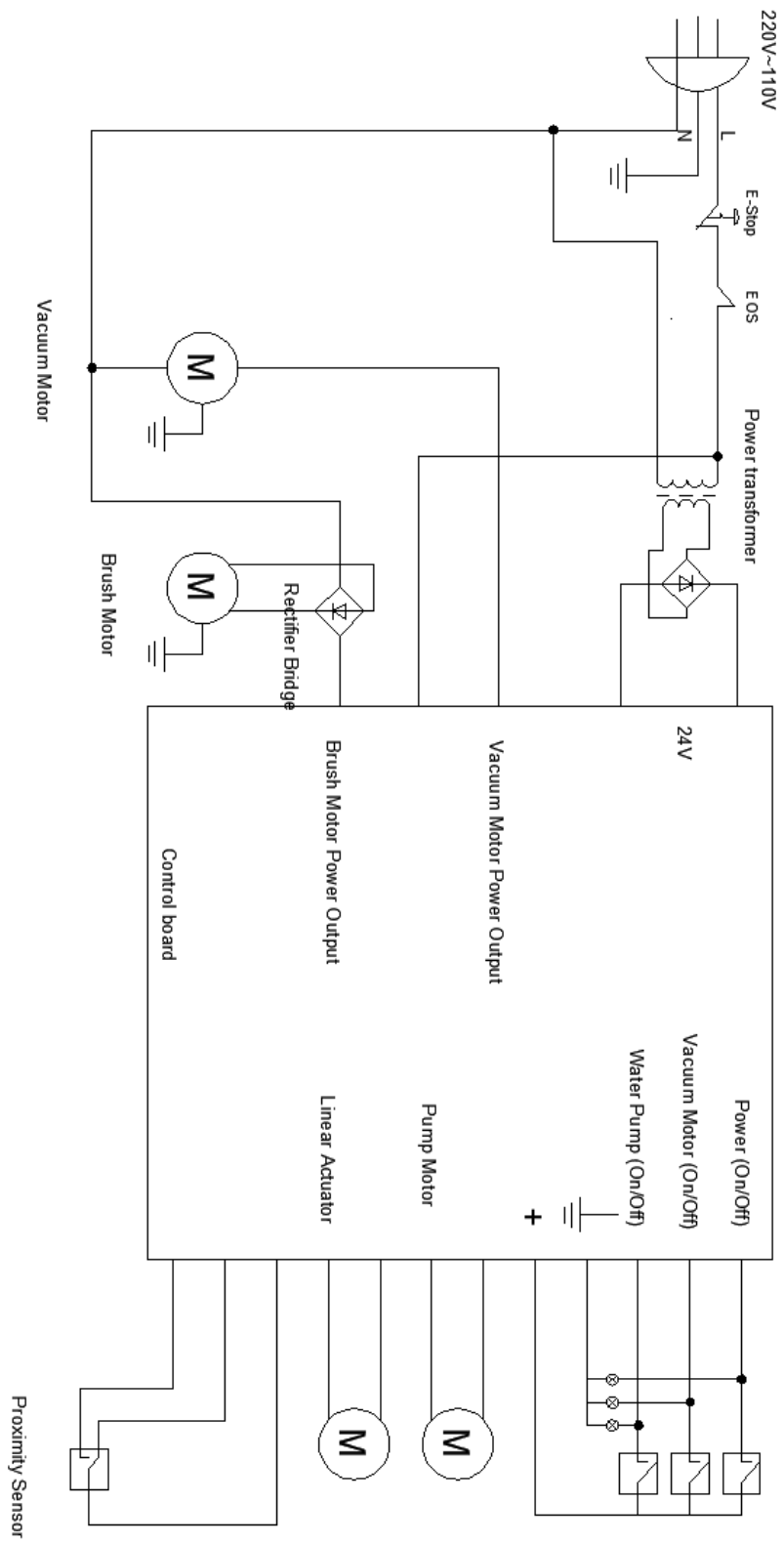


Accessories:



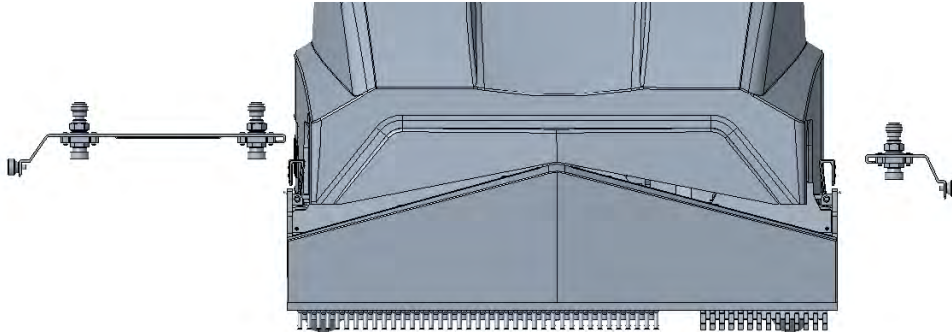
Items	Model#	Part No.	Description
Short Brush	ES-515	UA0464	Daily Maintenance
Long Brush	ES-515	US0204	Regular Maintenance
Power Cord		US0204	
Solution Tank Cap		MO0531	
Solution Tank Adaptor		MO0552	
Filter		FA0319	
Air Inlet Gasket		MO0553	
Belt		MM1054	
Rubber Squeegee		MO0526	
J Box		UA0457	
Detergent 515RM			Regular Maintenance
Dust Filter		US0231	

Wiring Diagram: Vacuum, Brush Motor & Pump



Spraying Nozzle Maintenance:

- A. Unscrew the bolts to slide out the nozzle mounts from both ends.

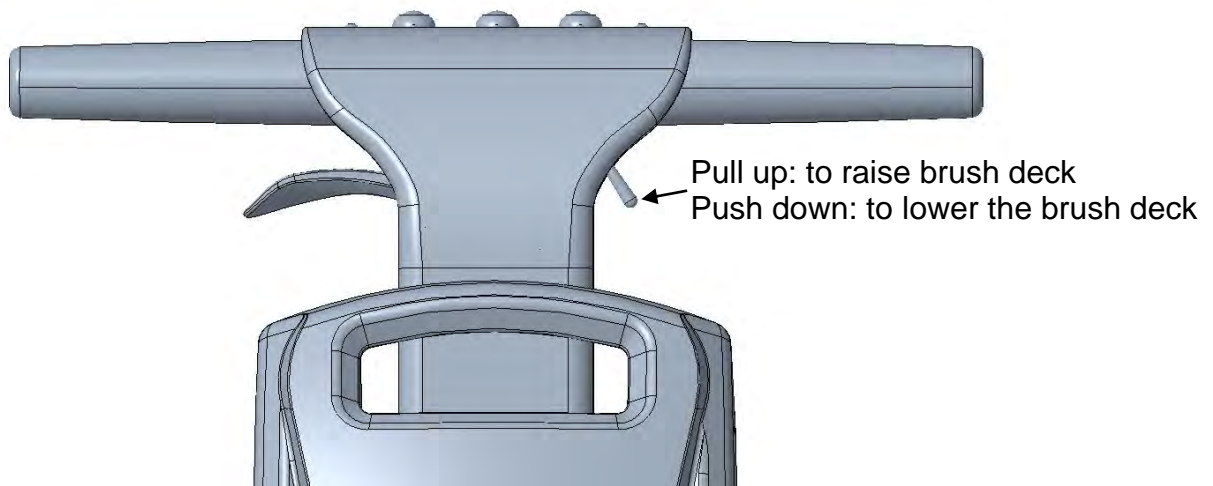


- B. Follow the arrow direction to pull out the nozzles for cleaning or replacing. Turn in the opposite direction to mount the nozzles back.



Brush Deck Positioning

- A. Push down and hold the switch to lower the brush deck into cleaning position. Lift and hold the switch to raise the brush deck when the cleaning operation is completed.



Warranty:

- Three-year warranty provided by the manufacturer;
- Please make sure to use the detergent provided by the manufacturer which is specially formulated for the escalator maintenance machine. The manufacturer will not be responsible for any of the damages done to the machines, escalators, or moving walkways by applying any cleaning chemicals other than that from the manufacturer. All spare parts are provided by the manufacturer.
- The warranty does not cover any damages caused by using brushes other than those supplied by the manufacturer.

 ericleanusa.com

 info@ericleanusa.com